



TRUNDEAN  
MACHINERY



Advanced Technology Topnotch Skill

Magnetic Drive Pump

ISO 9001



TRUNDEAN MACHINERY INDUSTRIAL CO., LTD.



# Professional Manufacturer of Roots Blower



TH Type  
Roots Blower



THD Type  
Direct Drive Roots Blower



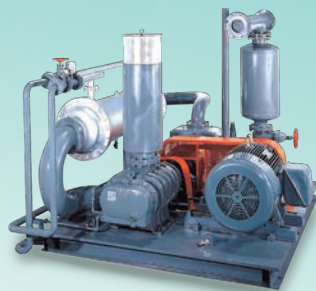
THV Type  
Roots Vacuum Blower



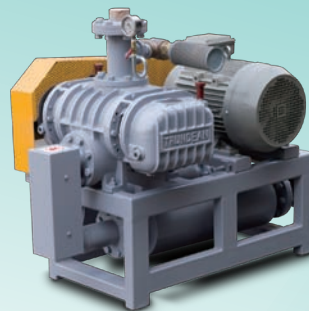
TV Type  
Vertical Roots Blower



TSW Type  
Submersible Roots Blower



THL Type  
Two Section Roots Blower



THVE Type (European Style)  
Roots Vacuum Blower



TS Type  
Ring Blower



THW Type  
Water-Cooled Roots Blower



THS Type  
Partial Water-Cooled Roots Blower



TMD Type  
Magnetic Drive Pump



Diffusers  
Tubes

# ISO 9001

## Trundean Overview

### Introduction

Trundean Machinery Industrial Co., Ltd. was founded in 1982. We insist on pursuing the goal of high-quality and the absorption of advanced ideas from abroad, to set up a business reputation of excellence and perfection. Trundean Machinery Industrial Co., Ltd. has intensified our spirit and attitude in our quest for perpetual betterment, to seek sustained research and improvement, to persist in aggressively adhering to the policy of “customer first, quality first, service first” to ensure customers with quality after-sale services

In the past years, with the upgrading of domestic industrial standards, and in view of the imperativeness to enhance market competitiveness, we have passed ISO 9001 in 2002, and passed CE certification in 2005. In this competitive market, we have been seeking product stability, standardized production processes, and continued to renew installation of production equipment and inspection equipment, so that our products are not inferior to those in advanced countries. And we have actively invested in research and development and made improvement on all our products, including Roots Blower, Vertical Blower, Submersible Blower, and Magnetic Drive Pump.

Besides developing the Taiwanese market, Trundean Machinery Industrial Co., Ltd. has actively developed overseas markets, and produced the “TRUNDEAN” brand for sales in overseas markets. Export markets have been extended to more than 60 countries, and our products have been highly recommended by local users. Based on firm and stable quality, Trundean Machinery Industrial Co., Ltd. enthusiastically develops new products and provide sincere and prompt service, providing better service to our customers and establishing excellent cornerstones for our sustainable business operation.

## Operating Principles

Both of customers and suppliers are energy source of Trundean. We cooperate with each others for our mutual benefit. We cooperate sincerely and enhance our partnership by creating maximum benefit for each others. Therefore, all of us could be everlasting, strongly and forcefully.

## Future Prospect

During the past 20 years, we always keep our faith in mind which is providing the best quality products and quickest service to our clients. We have plenty of experience and professional technique in this industry. In the future, we are going to set up branch offices widely in the world in order to provide the best and quickest after-sale service for the international customers. ◦ Furthermore, we seek for largest business opportunity by strategic alliance to execute joint procurement and overseas marketing.

In the time of 21st century, based on 5 major advantages: Professional Technique, Innovative Technology, Quick Service, Excellent Quality and Outstanding Talent, Trundean will be synchronous with international. That keeps Trundean's products in the best and most stable quality.



# Magnetic Drive Pump Series

## TMD Type Magnetic Drive Pump

Magnetic Drive Pump materials comprise mainly GFR-PP (Glass Fiber Reinforced Polypropylene) and PVDF ( Polyvinylidene Fluoride ). The former could stand for 80°C liquid, and the latter could stand for 100°C liquid. To select proper material by knowing the ingredients of the liquid. All major parts of TRUNDEAN TMD series pumps have great anti-corrosion ability. Therefore, almost every chemical liquid could be transported safely.

Magnetic Drive Pump abandons traditional mechanical seals design. The pump, which is totally sealed, won't cause any environmental pollution because of its no leakage feature. In additional, all the pump parts are modularized. It could be assembled easily but without any special tools. Thus, it not only saves much time to maintain the pump but also saves much repairing cost for the users.

Magnetic Drive Pump could be widely applied to many industries such as PCB manufacturing process, chemical industry, filtration, etching, electroplating and surface treatment, etc.. It has great performance no matter in low capacity/ high head or low head/ high capacity condition.

## Patent is to approve our R & D achievement and the glory of leading the industry.



Patent for Roots Blower Series



Patent for THW Type



Patent for TV Type



Patent for TMD Type



Patent for Roots Blower Series



Patent for THW Type



Patent for TV Type



Patent for TMD Type

## Certification is to decide our position in the market and the bridge to the world.



ISO 9001:2000



ISO 9001:2000



CE for Roots Blower Series



CE for TMD Series

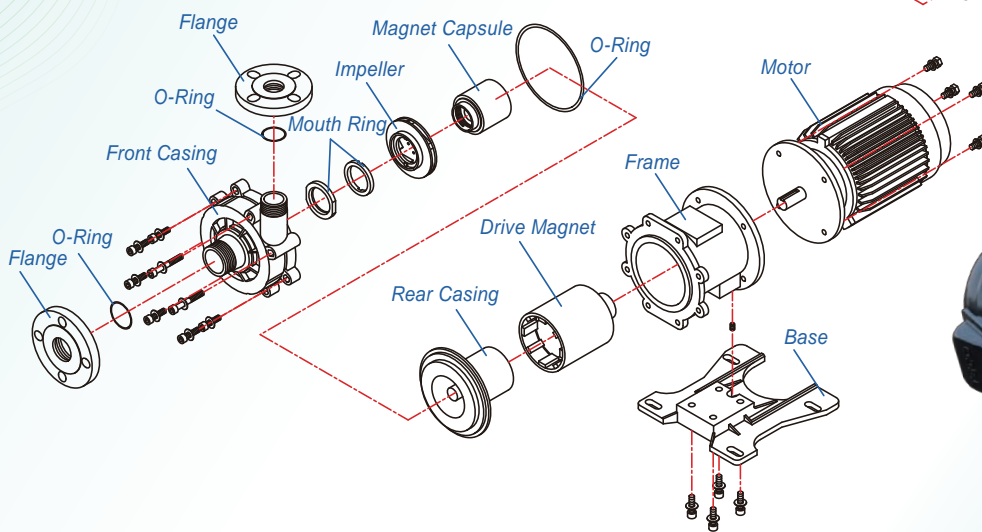
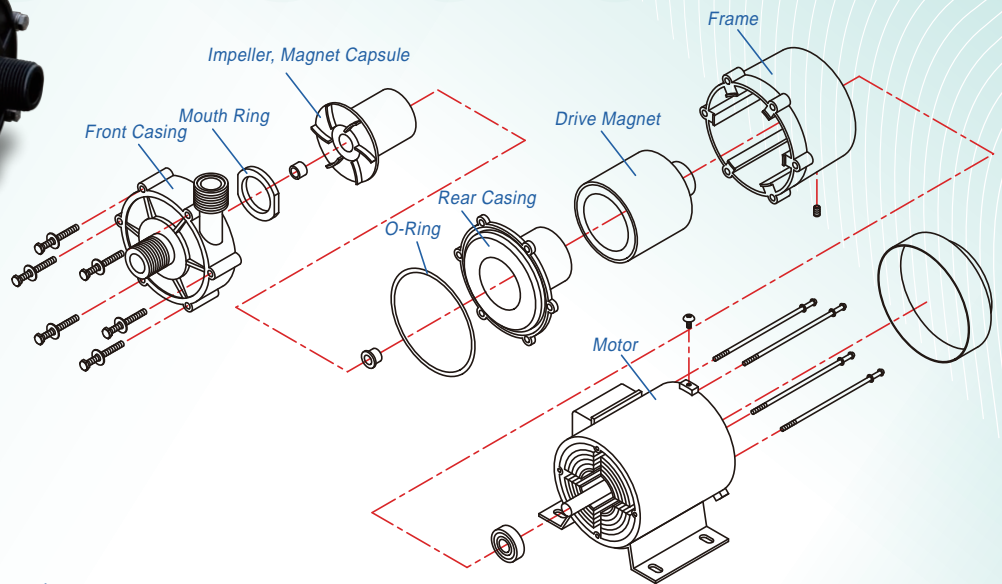


ISO 14001:2004



ISO 9001:2008

# Magnetic Drive Pump Series



## Features:

- Seal-free, no leakage.
- Excellent corrosion resistant materials such as SiC, ceramics etc...
- Designed with an emphasis on improved durability.
- Easy to assemble. Wide application

## Note:

- Dry running is strictly prohibited
- The pumps are not appropriate for the solutions which contain crystal or particles.

## Application:

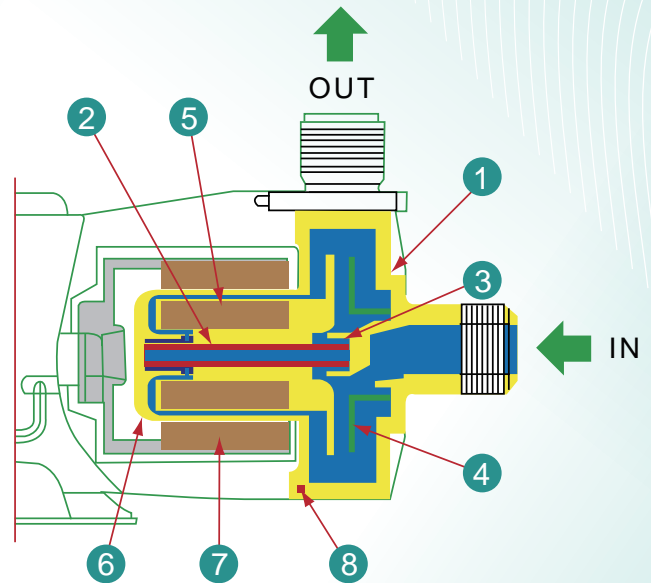
- PCB manufacturing process
- Chemical industry
- Filtration
- Etching
- Electroplating
- Heat exchanger
- Seawater aquaculture



# Magnetic Drive Pump TMD-06~25



Structural Drawing :



## Parts & Materials Table

Type	TMD-06~25P		TMD-06~25F	
	AC	AL	AC	AL
Solution	AC	AL	AC	AL
Parts	Material		Material	
1. Front Casing	GFRPP		CFRPVDF	
2. Spindle	CERAMIC		CERAMIC	
3. Bearing	PTFE		PTFE	
4. Impeller	GFRPP		CFRPVDF	
5. Magnet Capsule	FERRIC		FERRIC	
6. Rear Casing	GFRPP		CFRPVDF	
7. Drive Magnet	FERRIC		FERRIC	
8. O-Ring	VITON	EPDM	VITON	EPDM

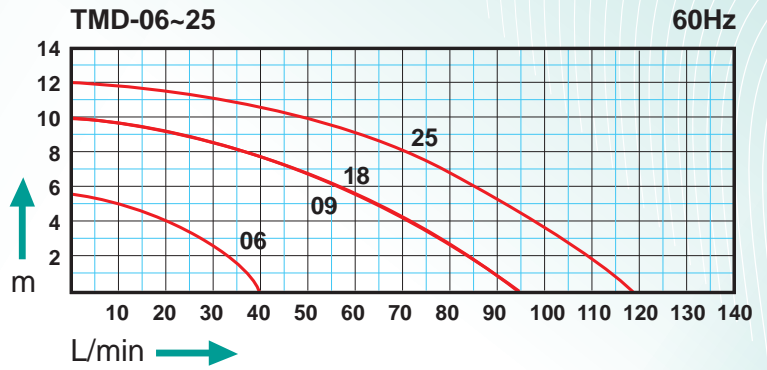
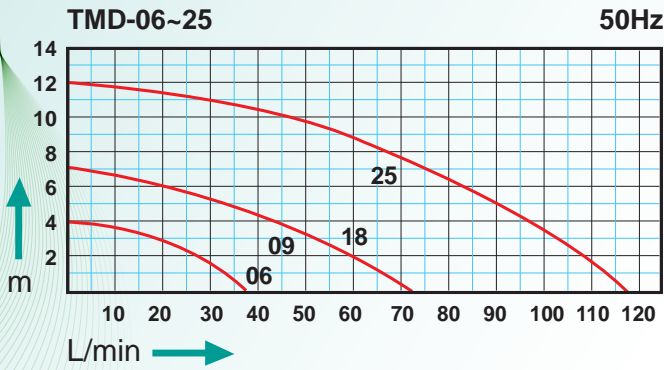
## Specification & Performance Table

50Hz / 60Hz

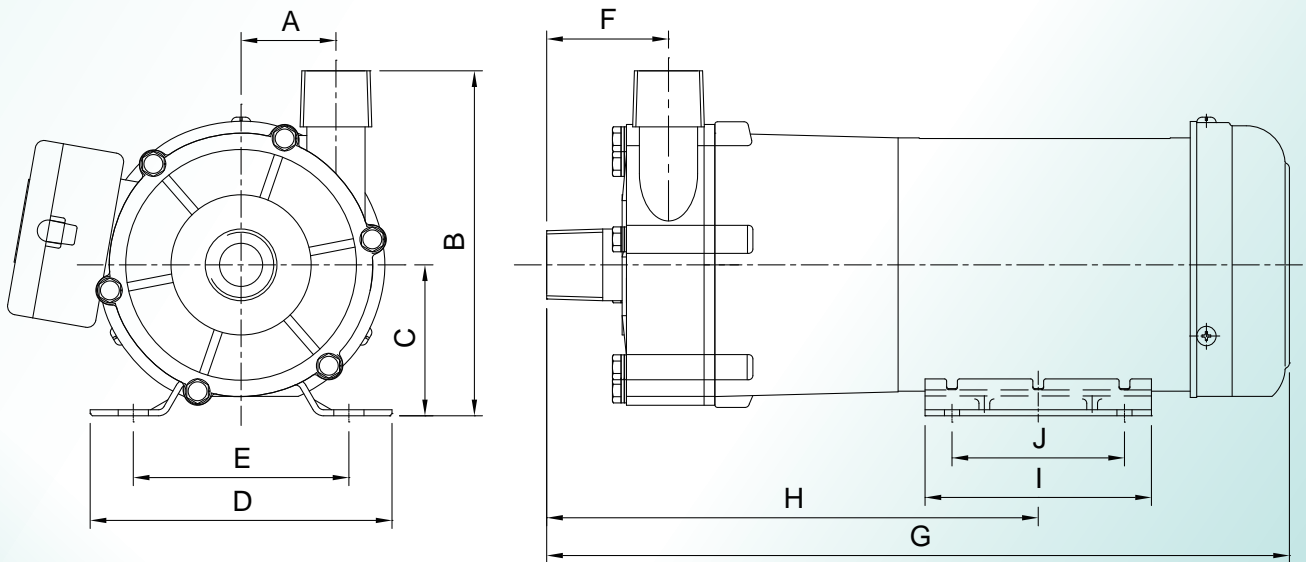
Type	Bore		Thread		Max. Capacity (L/min)	Max. Head (M)	S.G.	Motor		Pole
	Inlet	Outlet	Inlet & outlet	Union				Power	Phase	
TMD-06	20mm	20mm	PF3/4"	16mm	37/40	4/5.8	1.1	65W	1 or 3	2
TMD-09	26mm	26mm	PF 1"	20mm	72/95	7/10	1.2	90W	1 or 3	2
TMD-18	26mm	26mm	PF 1"	20mm	72/95	7/10	1.1	180W	1 or 3	2
TMD-25	26mm	26mm	PF 1"	20mm	118/119	12/12	1.2	250W	1 or 3	2

# ISO 9001

## Performance Curve



## Dimension Drawing

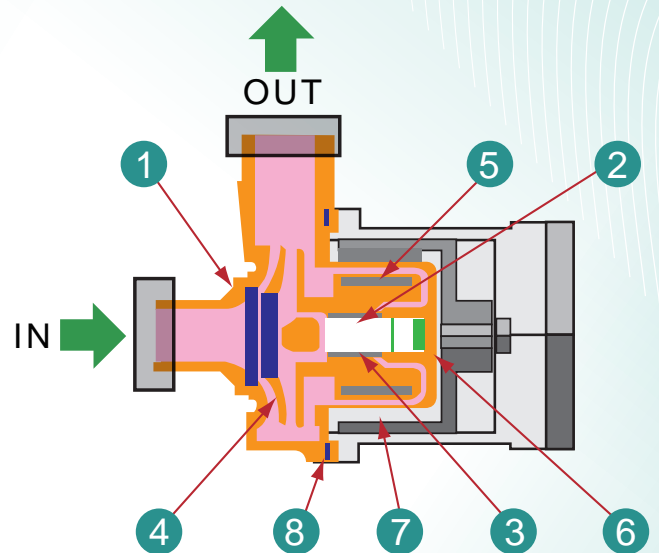


Type	A	B	C	D	E	F	G	H	I	J
TMD-06	33	128.5	58	101.5	83	48.5	273	184.5	67	50
TMD-09	44	160	70	140	100	52	305	199.5	105	80
TMD-18	44	160	70	140	100	52	305	199.5	105	80
TMD-25	44	160	70	140	100	56.5	344.5	228	105	80

# Magnetic Drive Pump TMD-37~350



Structural Drawing :



## Parts & Materials Table

Type	TMD-37~75P		TMD-150~350P		TMD-37~75F		TMD-150~350F	
	AC	AL	AC	AL	AC	AL	AC	AL
Solution	AC	AL	AC	AL	AC	AL	AC	AL
Parts	Material				Material			
1.Front Casing	GFRPP				CFRPVDF			
2.Spindle	CERAMIC	SUS316	CERAMIC	SUS316	CERAMIC	SUS316	CERAMIC	SUS316
3.Bearing	PTFE	SIC	PTFE	SIC	PTFE	SIC	PTFE	SIC
4.Impeller	PP				PVDF			
5.Magnet Capsule	FERRIC		NFB		FERRIC		NFB	
6.Rear Casing	PP				PVDF			
7.Drive Magnet	FERRIC		NFB		FERRIC		NFB	
8.O-Ring	VITON	EPDM	VITON	EPDM	VITON	EPDM	VITON	EPDM

## Specification & Performance Table

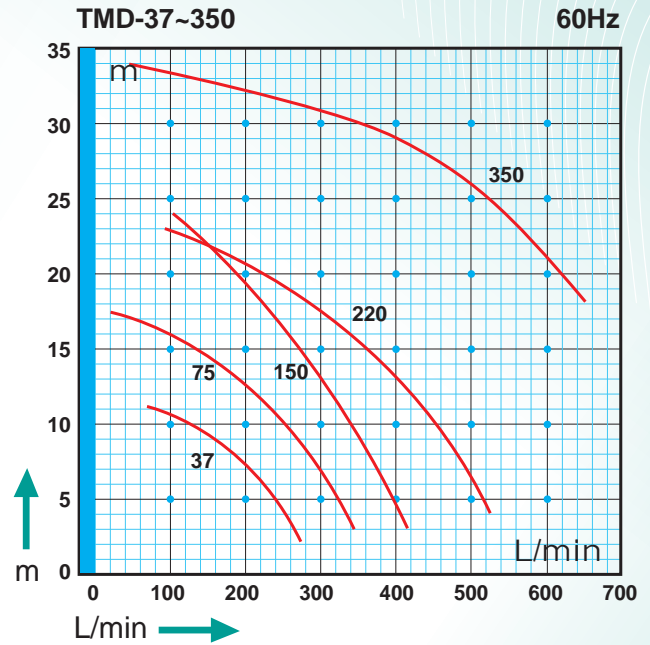
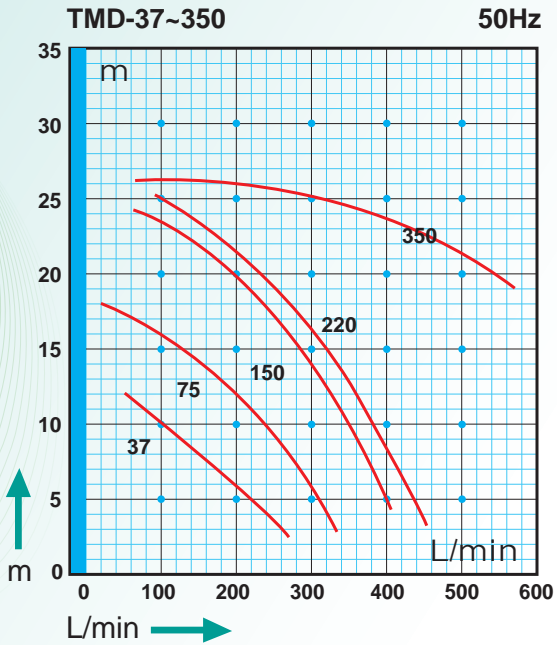
50Hz / 60Hz

Type	Bore		S.G.	Max. Capacity (L/min)		Max.Head(m)		Power (Kw)	Pole
	Inlet	Outlet		50Hz	60Hz	50Hz	60Hz		
TMD-37	40Ax40A	FF	1.05	270	275	12	11.5	0.4	2
TMD-75	40Ax40A	FF	1.05	335	341	18	17.5	0.75	2
TMD-150	50Ax40A	FF	1.2	401	406	24.5	24	1.5	2
TMD-220	50Ax40A	FF	1.05	453	521	25.2	23	2.2	2
TMD-350	50Ax40A	FF	1.05	570	654	26	34	3.5	2

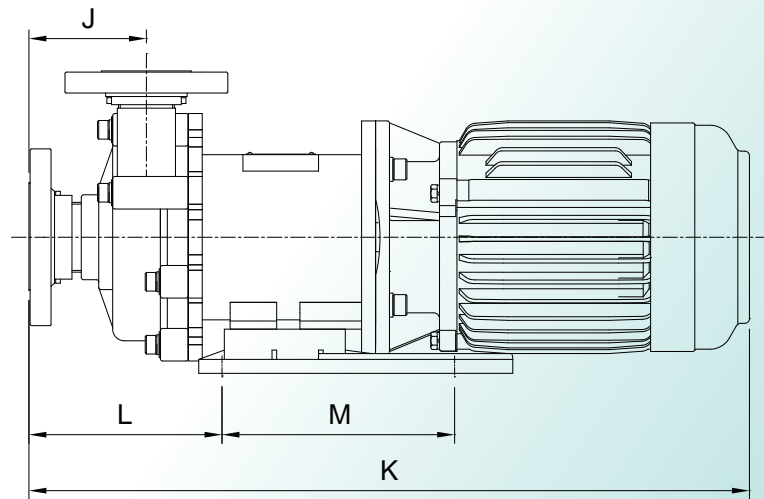
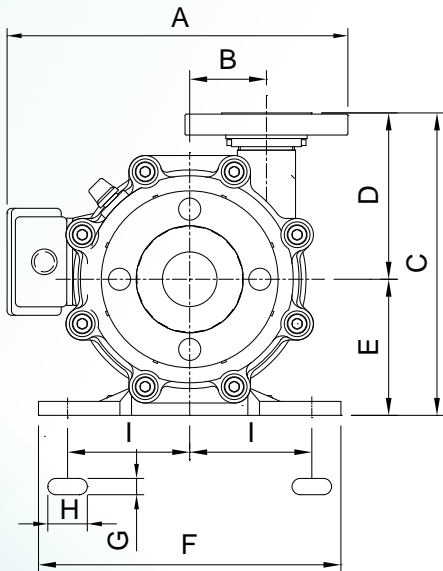


# ISO 9001

## Performance Curve



## Dimension Drawing



機型	A	B	C	D	E	F	G	H	I	J	K	L	M
TMD-37	269	66	231	241	107	140			55	88	465.5	143	98
TMD-75	280	66	261	143	118	160			65	92	525	168	130
TMD-150	293	66	260	143	117	260	14	34	105	101	619.5	166	200
TMD-220	293	66	260	143	117	260	14	34	105	101	619.5	166	200
TMD-350	331	66	316	155	136	250			100	101	683	182	90

Sincere Enthusiasm Professional Innovative



Taoyuan Head Office, Taiwan



Office Lobby



CNC Machine Area



Testing Area for MD Pump



Container Port



Testing area for Roots Blower

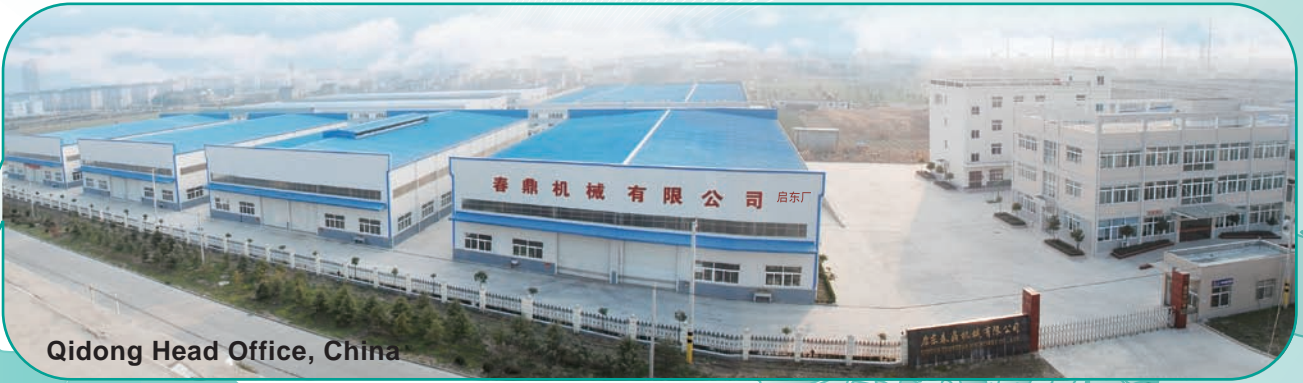


Finished Product Storage Area



Tainan Branch, Taiwan





Qidong Head Office, China



Office Lobby



Dormitory for Trundeans' Staff



Qidong Head Office



Product Storage Area

## Advantages Products Aspect:

- TH Series: The compartment and the side cover of TRUNDEAN Roots Blower has a flange and groove rim, which can not only strengthen the blower's operational functions but also prevent eccentric phenomenal resulting from the fastening of the stud, which may shorten the life of blower.
- TV Series: The Vertical Roots Blower uses direct-drive, reducing wear and tear on the belt, reducing the amount of maintenance needed, and reducing the risk of oil leaks.
- TSW Series: Because it is submersible under water, there wouldn't be much noise when the blower is running.
- TMD Series: Magnetic Drive Pump materials comprise mainly GFR-PP and PVDF. Therefore, almost all chemical solutions can be safely transmitted. Abandoning the traditional design of shaft seal, the no shaft seal pump can be completely sealed, so there is no risk of damage to the pump which may result in leaks.

## Service Aspect:

- Technical Consultancy Service: To enable customers to accurately choose from product specifications, Trundeans Machinery Industrial Co., Ltd. provides technical consultancy service to solve customers' technical problems when choosing products, thereby effectively reducing customers' business costs.
- Innovation R&D Service: R&D is the motivation for Trundeans Machinery Industrial Co., Ltd. on our way to carry forward the past and forging ahead to future prosperity, to seek sustained improvement and perfection. Our well trained production groups can at all times meet the customer requirements for any specifications, so that customers can rest assured.
- Quality Delivery Service: In addition to smooth operation under perfect ISO 9001 system, and complete test and inspection assurance, product delivery is also our acknowledgement and responsibility, so that our service personnel can support every customer at any time and location.
- After-sales Maintenance Service: To ensure maneuverability and stability for customers in the use of products, we shall provide the most efficient and highest quality services. As well as providing customers with a one-year warranty, we guarantee the supply and replacement of parts for future maintenance.



Bangkok Branch,  
Thailand



**TRUNDEAN**  
MACHINERY

TRUNDEAN MACHINERY INDUSTRIAL CO., LTD.  
<http://www.trundean.com>

**Taoyuan Head office, Taiwan**

No. 101 Lane 861, Fu-Kuo Rd., Taoyuan City, Taiwan  
TEL: +886-3-323-8288 FAX: +886-3-323-8959  
E-mail: blower@trundean.com

**Tainan Branch, Taiwan**

No.1-35 Jiu Ying, Jiu Ying Li, Yan Shui Town, Tai Nan County  
TEL: +886-6-652-9455 FAX: +886-6-652-9520  
E-mail: tainan@trundean.com

**Bangkok Branch, Thailand**

71/90 Sol 13 Chomthong Rd, Chomthong Bangkok 10150 Thailand  
TEL: +66-2-878-1885 FAX: +66-2-878-1887

**Qidong Head Office, China**

No. 899, Lingfeng Road , Haihong Industrial Park, Economic  
Development Zone, QidongCity, Jiangsu Province, P.R.C  
TEL: +86-513-6889-6666 FAX: +86-513-6889-1666  
E-mail : qidong@trundean.com

Agency



SALE AGENCY IN I.R.IRAN

Add.: No.2 Salamat Commerical Dep. South Sadi Ave. Tehran - Iran  
Tel: +9821/ 33902324 / 33915521 Fax: +9821/ 33933704  
Email: mjshmmr1@gmail.com web site:www.pumpjetco.com

The catalogue is subject to change without further notice.