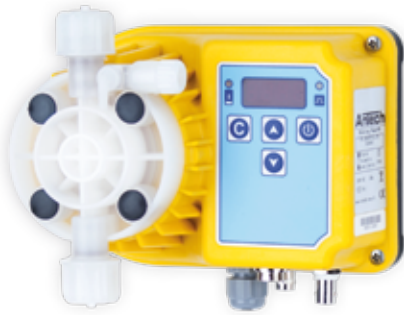




AnTech
"Water Control Technologies"

Design Pump





1

Lara A

Technical Data

- Adjustable stroke rate via the potentiometer on the device
- On/Off Button
- Easy and flexible installation and usage by the vertical mount desing
- High resistance to corrosive chemicals with the PVDF Pump Head and entire IP65 body
- Electronic circuit controlled electromagnet and long lasting Teflon (PTFE) diaphragm
- Lesser Maintenance by ceramic ball desing
- Suction and injection parts included

Page 2

| Stock Code | Model | L/h | Max. Counter Pressure/Bar | Package Sizes/cm W-L-H | Packed Weight/Kg |
|-----------------|--------------------------|-----|---------------------------|------------------------|------------------|
| 301102010101000 | DP LARA A 2L/10B V220FAT | 2 | 10 | 23 x 28 x 21 | 2,95 |
| 301105007101000 | DP LARA A 5L/7B V220FAT | 5 | 7 | | |
| 301110005101000 | DP LARA A 10L/5B V220FAT | 10 | 5 | | |
| 301102020101000 | DP LARA A 2L/20B V220FAT | 2 | 20 | | |

Standart Box Content



Stock Code : 600110800110000
Stock Name: SUCTION KIT 4X6 V



Stock Code : 600110700311000
Stock Name: INJECTION KIT 4X6 V



Stock Code : 600110500100000
Stock Name: PIPE KIT V
Stock Code : 600110400200000
Stock Name: MOUNTING KIT DP

Not Included to Standart Box

ACCESSORIES



Stock Code : 600110800130000
Stock Name: SUCTION KIT 4X6 P
Stock Code : 600110700313000
Stock Name: INJECTION KIT 4X6 P

Application Areas



▶ Swimming Pools



▶ Drinking Water



▶ Waste Water



▶ Cooling Towers



▶ Boilers



▶ Industrial Processes



▶ Agriculture



2

Lara APS

Technical Data

- Adjustable stroke rate via the potentiometer on the device
- Liquid level control and 1/10 adjustment button
- Easy and flexible installation and usage by the vertical mount desing
- High resistance to corrosive chemicals with the PVDF Pump Head and entire IP65 body
- Electronic circuit controlled electromagnet and long lasting Teflon (PTFE) diaphragm
- Lesser Maintenance by ceramic ball desing
- Suction and injection parts included

| Stock Code | Model | L/h | Max. Counter Pressure/Bar | Package Sizes/cm W-L-H | Packed Weight/Kg |
|-----------------|----------------------------|-----|---------------------------|------------------------|------------------|
| 301302010101000 | DP LARA APS 2L/10B V220FAT | 2 | 10 | 23 x 28 x 21 | 3,00 |
| 301305007101000 | DP LARA APS 5L/7B V220FAT | 5 | 7 | | |
| 301310005101000 | DP LARA APS 10L/5B V220FAT | 10 | 5 | | |
| 301302020101000 | DP LARA APS 2L/20B V220FAT | 2 | 20 | | |

Page 3

Standart Box Content

Not Included to Standart Box



Stock Code : 600110800110000
Stock Name: SUCTION KIT 4X6 V



Stock Code : 600110700311000
Stock Name: INJECTION KIT 4X6 V



Stock Code : 600110500100000
Stock Name: PIPE KIT V
Stock Code : 600110400200000
Stock Name: MOUNTING KIT DP

ACCESSORIES



Stock Code : 600110800131000
Stock Name: SUCTION 4X6 PS
Stock Code : 600110700313000
Stock Name: INJECTION KIT 4X6 P

Application Areas



Swimming Pools



Drinking Water



Waste Water



Cooling Towers



Boilers



Industrial Processes



Agriculture



3

Lara DS

Technical Data

- Digital screen, precise dosing with micro controller technology, time adjustment and user password parameters
- User friendly button technology with easy menu
- Liquid level control
- Easy and flexible installation and usage by the vertical mount desing
- High resistance to corrosive chemicals with the PVDF Pump Head and entire IP65 body
- Electronic circuit controlled electromagnet and long lasting Teflon (PTFE) diaphragm
- Lesser Maintenance by ceramic ball desing
- Suction and injection parts included

Page 4

| Stock Code | Model | L/h | Max. Counter Pressure/Bar | Package Sizes/cm W-L-H | Packed Weight/Kg |
|-----------------|---------------------------|-----|---------------------------|------------------------|------------------|
| 301402010101000 | DP LARA DS 2L/10B V220FAT | 2 | 10 | 23 x 28 x 21 | 3,10 |
| 301405007101000 | DP LARA DS 5L/7B V220FAT | 5 | 7 | | |
| 301410005101000 | DP LARA DS 10L/5B V220FAT | 10 | 5 | | |
| 301402020101000 | DP LARA DS 2L/20B V220FAT | 2 | 20 | | |

Standart Box Content

Not Included to Standart Box



Stock Code : 600110800110000
Stock Name: SUCTION KIT 4X6 V



Stock Code : 600110700311000
Stock Name: INJECTION KIT 4X6 V



Stock Code : 600110500100000
Stock Name: PIPE KIT V
Stock Code : 600110400200000
Stock Name: MOUNTING KIT DP

ACCESSORIES



Stock Code : 600110800131000
Stock Name: SUCTION 4X6 PS
Stock Code : 600110700313000
Stock Name: INJECTION KIT 4X6 P

Application Areas



▶ Swimming Pools



▶ Drinking Water



▶ Waste Water



▶ Cooling Towers



▶ Boilers



▶ Industrial Processes



▶ Agriculture



4

Lara DMS

Technical Data

- Digital screen, precise dosing with micro controller technology, time adjustment, liquid level control and user password parameters
- Proportional volumetric control when connected to water meters
- 4-20mA analog input, liquid level alarm relay
- Easy and flexible installation and usage by the vertical mount desing
- High resistance to corrosive chemicals with the PVDF Pump Head and entire IP65 body
- Electronic circuit controlled electromagnet and long lasting Teflon (PTFE) diaphragm
- Lesser Maintenance by ceramic ball desing
- Suction and injection parts included

| Stock Code | Model | L/h | Max. Counter Pressure/Bar | Package Sizes/cm W-L-H | Packed Weight/Kg |
|-----------------|----------------------------|-----|---------------------------|------------------------|------------------|
| 301602010101000 | DP LARA DMS 2L/10B V220FAT | 2 | 10 | 23 x 28 x 21 | 3,15 |
| 301605007101000 | DP LARA DMS 5L/7B V220FAT | 5 | 7 | | |
| 301610005101000 | DP LARA DMS 10L/5B V220FAT | 10 | 5 | | |
| 301602020101000 | DP LARA DMS 2L/20B V220FAT | 2 | 20 | | |

Page 5

Standart Box Content

Not Included to Standart Box



Stock Code : 600110800110000
Stock Name: SUCTION KIT 4X6 V



Stock Code : 600110700311000
Stock Name: INJECTION KIT 4X6 V



Stock Code : 600110500100000
Stock Name: PIPE KIT V
Stock Code : 600110400200000
Stock Name: MOUNTING KIT DP

ACCESSORIES



Stock Code : 600110800131000
Stock Name: SUCTION 4X6 PS
Stock Code : 600110700313000
Stock Name: INJECTION KIT 4X6 P

Application Areas



▶ Swimming Pools



▶ Drinking Water



▶ Waste Water



▶ Cooling Towers



▶ Boilers



▶ Industrial Processes



▶ Agriculture



5

Lara PR

Technical Data

- REDOX and pH measurement with standart combination electrodes
- Totally digital and automatic calibration by using buffer solutions
- Startup Delay function, adjustable timer for correct reading measurements according to chemical reaction time (0-60 min.)
- Liquid level control , LCAP (% 10 capacity) running mode, user password Easy and flexible installation and usage by the vertical mount desing
- High resistance to corrosive chemicals with the PVDF Pump Head and entire IP65 body Electronic circuit controlled electromagnet and long lasting Teflon(PTFE) diaphragm Lesser Maintenance by ceramic ball desing
- Suction, injection parts and liquid level sensor accesories included

Page 6

| Stock Code | Model | L/h | Max. Counter Pressure/Bar | Package Sizes/cm W-L-H | Packed Weight/Kg |
|-----------------|---------------------------|-----|---------------------------|------------------------|------------------|
| 301002010101000 | DP LARA PR 2L/10B V220FAT | 2 | 10 | 23 x 28 x 21 | 3,60 |
| 301005007101000 | DP LARA PR 5L/7B V220FAT | 5 | 7 | | |
| 301010005101000 | DP LARA PR 10L/5B V220FAT | 10 | 5 | | |
| 301002020101000 | DP LARA PR 2L/20B V220FAT | 2 | 20 | | |

Standart Box Content

Not Included to Standart Box



Stock Code : 600110800110000
Stock Name: SUCTION KIT 4X6 V



Stock Code : 600110700311000
Stock Name: INJECTION KIT 4X6 V



Stock Code : 600110500100000
Stock Name: PIPE KIT V
Stock Code : 600110400200000
Stock Name: MOUNTING KIT DP

ACCESSORIES



Stock Code : 600110800131000
Stock Name: SUCTION 4X6 PS
Stock Code : 600110700313000
Stock Name: INJECTION KIT 4X6 P

Application Areas



▶ Swimming Pools



▶ Drinking Water



▶ Waste Water



▶ Cooling Towers



▶ Boilers



▶ Industrial Processes



▶ Agriculture

| Stok Kodu | Model | Açıklama |
|-----------------|------------------------|--|
| 410150011100001 | PROBE HOLDER SET P 1 S | ELECTRODE PH 6M SENSOR XS + PROBE HOLDER SUBMERSIBLE + CALIBRATION SOLUTIONS |
| 410150011200001 | PROBE HOLDER SET P 2 S | ELECTRODE PH 6M SE NSOR XS + FLOW CELL SINGLE WITH FILTER + ELECTRODE CELL MOUNTAGE SET+ CALIBRATION SOLUTIONS |
| 410150011300001 | PROBE HOLDER SET P 3 S | ELECTRODE PH 6M SENSOR XS + ELECTRODE FIXING GLAND 1/2 + CALIBRATION SOLUTIONS |
| 410150012100001 | PROBE HOLDER SET R 1 S | ELECTRODE ORP 6M SENSOR XS + PROBE HOLDER SUBMERSIBLE + CALIBRATION SOLUTIONS |
| 410150012200001 | PROBE HOLDER SET R 2 S | ELECTRODE ORP 6M SENSOR XS + FLOW CELL SINGLE WITH FILTER + ELECTRODE CELL MOUNTAGE SET+ CALIBRATION SOLUTIONS |
| 410150012300001 | PROBE HOLDER SET R 3 S | ELECTRODE ORP 6M SENSOR XS + ELECTRODE FIXING GLAND 1/2 + CALIBRATION SOLUTIONS |
| 410150021100001 | PROBE HOLDER SET P 1 E | ELECTRODE PH 6M ANTECH + PROBE HOLDER SUBMERSIBLE + CALIBRATION SOLUTIONS |
| 410150021200001 | PROBE HOLDER SET P 2 E | ELECTRODE PH 6M ANTECH + FLOW CELL SINGLE WITH FILTER + ELECTRODE CELL MOUNTAGE SET+ CALIBRATION SOLUTIONS |
| 410150021300001 | PROBE HOLDER SET P 3 E | ELECTRODE PH 6M ANTECH + ELECTRODE FIXING GLAND 1/2 + CALIBRATION SOLUTIONS |
| 410150022100001 | PROBE HOLDER SET R 1 E | ELECTRODE ORP 6M ANTECH + PROBE HOLDER SUBMERSIBLE + CALIBRATION SOLUTIONS |
| 410150022200001 | PROBE HOLDER SET R 2 E | ELECTRODE ORP 6M ANTECH + FLOW CELL SINGLE WITH FILTER + ELECTRODE CELL MOUNTAGE SET+ CALIBRATION SOLUTIONS |
| 410150022300001 | PROBE HOLDER SET R 3 E | ELECTRODE ORP 6M ANTECH + ELECTRODE FIXING GLAND 1/2 + CALIBRATION SOLUTIONS |



ELECTRODE PH 6M SENSOR XS



ELECTRODE PH 6M ANTECH



ELECTRODE ORP 6M SENSOR XS



ELECTRODE ORP 6M ANTECH



PROBE HOLDER SUBMERSIBLE



FLOW CELL SINGLE WITH FILTER



ELECTRODE CELL MOUNTAGE SET



ELECTRODE FIXING GLAND 1/2



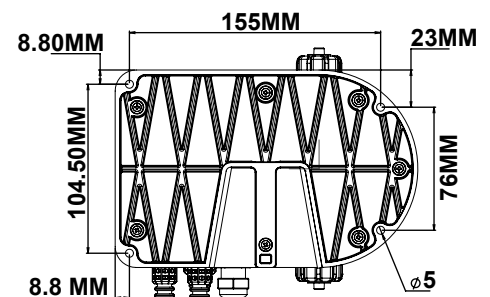
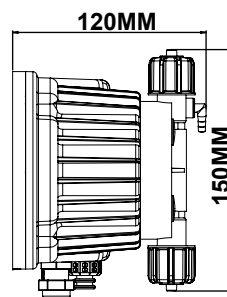
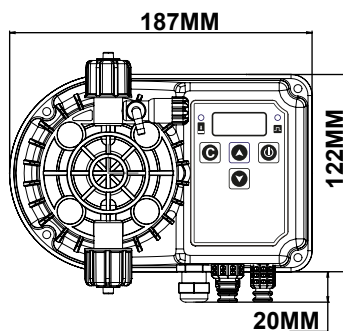
CALIBRATION SOLUTIONS ORP



CALIBRATION SOLUTIONS PH

LARA SERIES TECHNICAL SPECS

| Model | | Max./Lt | Max./P | Stroke/dk | ml/Stroke | Supply voltage | Watt | Weight | Body | Max. Ambient Temperature | Max. Chemical Temperature |
|-------|--------|---------|--------|-----------|-----------|---------------------|------|--------|------|--------------------------|---------------------------|
| | | Lt / h | Bar | strok | ml | Volt | W | kg | IP | °C | °C |
| A | 2L/10B | 2 | 10 | 150 | 0,222 | 230V AC 50-60 Hz | 17 | 2,2 | 65 | 0-45 | 0-40 |
| APS | 5L/7B | 5 | 7 | 150 | 0,555 | | | | | | |
| DS | | | | | | | | | | | |
| DMS | 10L/5B | 10 | 5 | 150 | 1,111 | | | | | | |
| PR | 2L/20B | 2 | 20 | 150 | 0,222 | | | | | | |

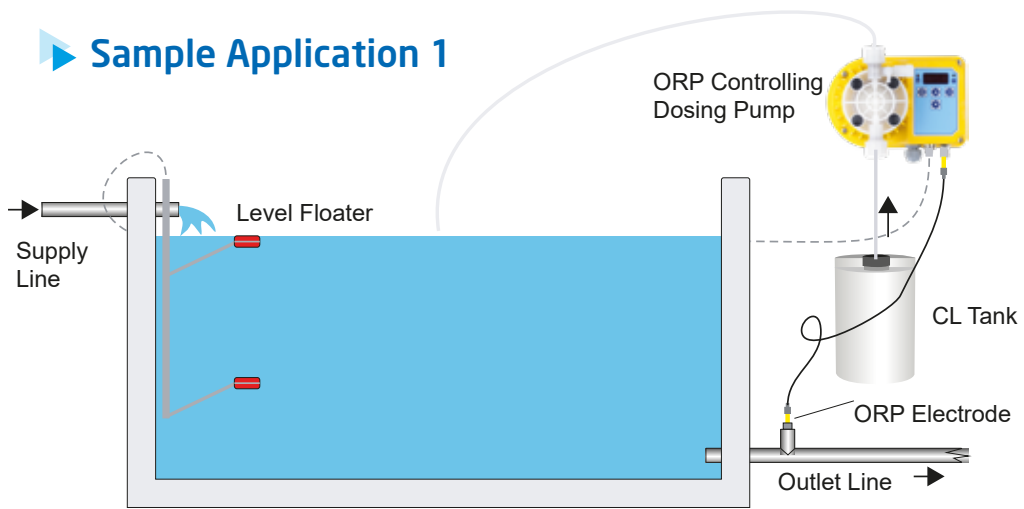


Lara Series Dosing Pump Used Parts and Materials

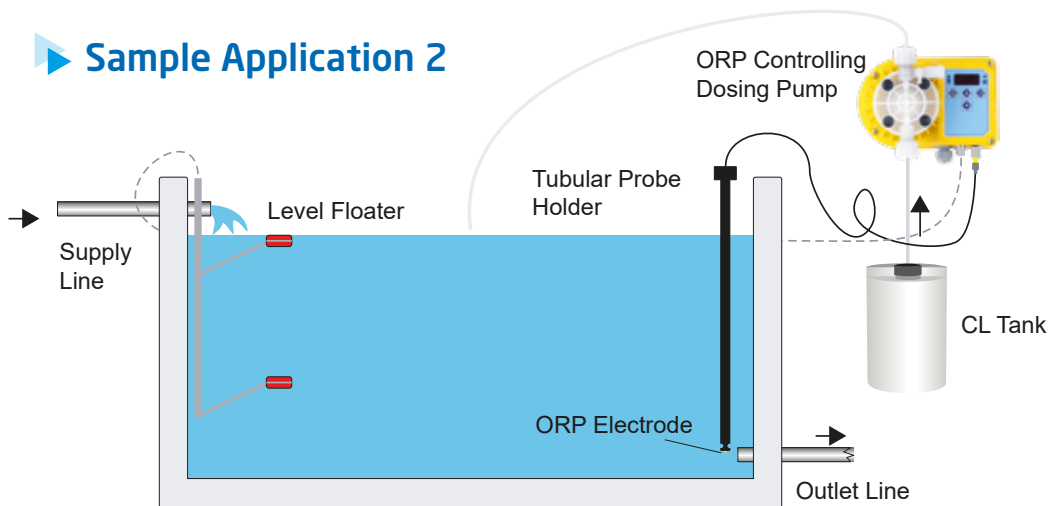
| | | |
|------------------|---------------|---|
| Pump Head | PVDF | |
| Pump Body | PP | |
| Check valves* | Suction Set | PP-PVDF*, Zirconium Ball, Viton-EPDM* Oring |
| | Injection Set | PP-PVDF*, Zirconium Ball, Viton-EPDM* Oring |
| | Pump Head Set | PVDF, Zirconium Ball, Viton-EPDM* Oring |
| Diaphragm | PTFE | |
| Glands | PVDF | |
| O-Rings | Viton-EPDM* | |
| Suction Pipe | PVC/PE* | |
| Injection Pipe | PE | |
| Ventilating Pipe | PVC/PE* | |

*: May vary by model

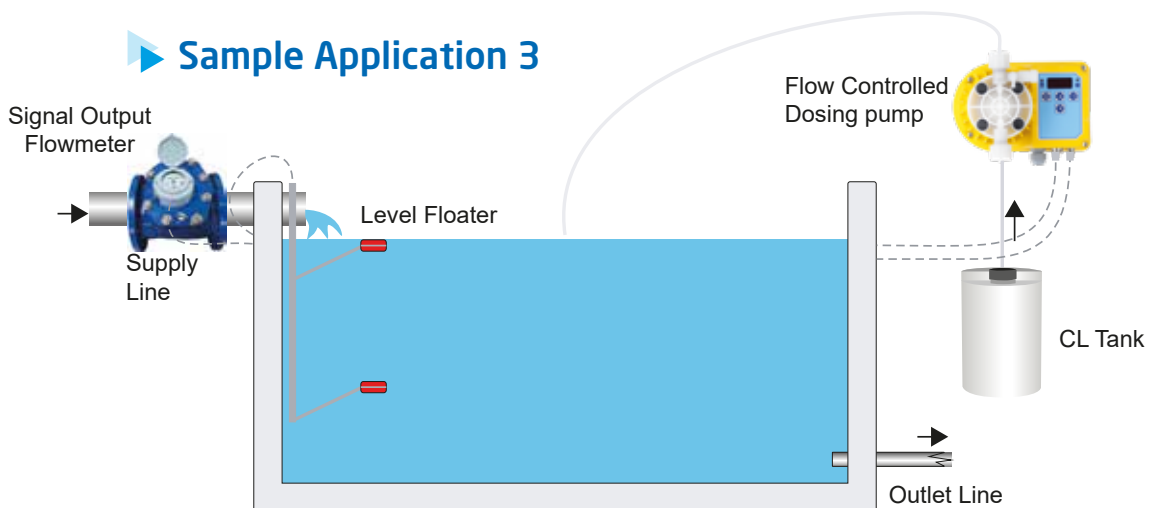
▶ Sample Application 1



▶ Sample Application 2



▶ Sample Application 3





6

Nano A

Technical Data

- Adjustable stroke rate via the potentiometer on the device
- Easy and flexible installation and usage by the vertical mount desing
- High resistance to corrosive chemicals with the PP Pump Head and entire IP65 body
- Electronic circuit controlled electromagnet and long lasting Teflon (PTFE) diaphragm
- Lesser Maintenance by ceramic ball desing
- Suction, injection parts and liquid level sensor accesories included

Page 10

| Stock Code | Model | L/h | Max. Counter Pressure/Bar | Package Sizes/cm W-L-H | Packed Weight/Kg |
|-----------------|---------------------------|-----|---------------------------|------------------------|------------------|
| 302105005101000 | DP NANO A 5L/5B V220FAT | 5 | 5 | 21 X 24 X 18 | 2,45 |
| 302102010101000 | DP NANO A 2L/10B V220FAT | 2 | 10 | | |
| 302100505101000 | DP NANO A 0,5L/5B V220FAT | 0,5 | 5 | | |

Standart Box Content



Stock Code : 600110800110000
Stock Name: SUCTION KIT 4X6 V



Stock Code : 600110700311000
Stock Name: INJECTION KIT 4X6 V



Stock Code : 600110500100000
Stock Name: PIPE KIT V
Stock Code : 600110400300000
Stock Name: MOUNTING KIT DP

Not Included to Standart Box

ACCESSORIES



Stock Code : TS310144120000000
Stock Name: TS CHECK VALVE KIT V

Application Areas



▶ Swimming Pools



▶ Drinking Water



▶ Waste Water



▶ Cooling Towers



▶ Boilers



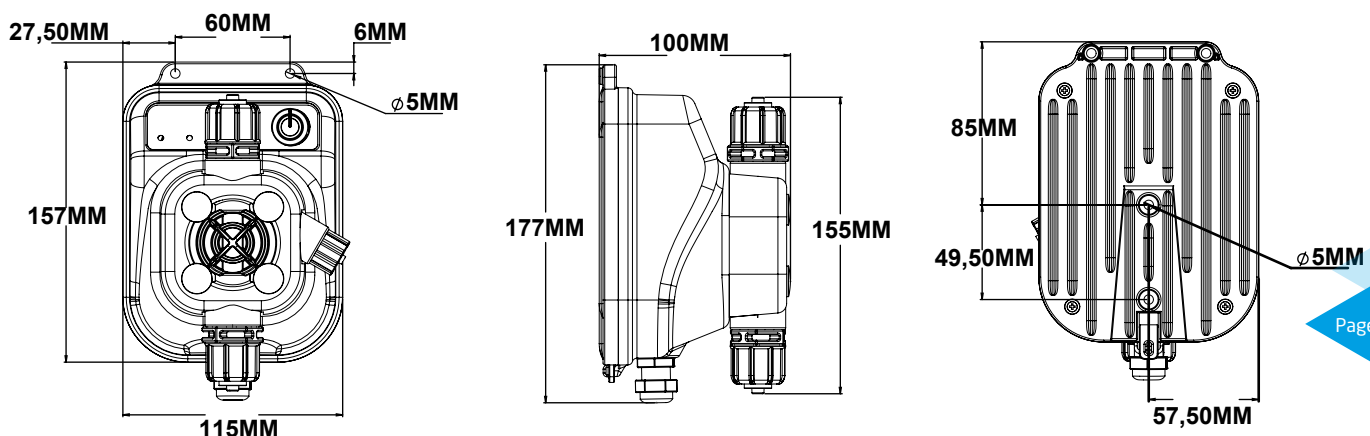
▶ Industrial Processes



▶ Agriculture

NANO Series Technical Specs

| Model | | Max./Lt | Max./P | Stroke/dkml/Stroke | Supply voltage | Watt | Weight | Body | Max. Ambient Temperature | Max. Chemical Temperature | |
|-------|---------|---------|--------|--------------------|-----------------|------|--------|------|--------------------------|---------------------------|-------|
| | | Lt / h | Bar | Stroke | ml | Volt | W | kg | IP | °C | °C |
| A | 2L/10B | 2 | 10 | 180 | 230 VAC 50Hz | 10 | 2,2 | 65 | 0-45 | 0-40 | |
| | 5L/5B | 5 | 5 | 180 | | | | | | | 0,463 |
| | 0,5L/5B | 0,5 | 5 | 180 | | | | | | | 0,046 |



NANO Series Dosing Pump Used Parts and Materials

| | | |
|------------------|---------------|---------------------------------------|
| Pump Head | PP | |
| Pump Body | PP | |
| Check valves* | Suction Set | PP, Zirconium Ball, Viton-EPDM* Oring |
| | Injection Set | PP, Zirconium Ball, Viton-EPDM* Oring |
| | Pump Head Set | PP, Zirconium Ball, Viton-EPDM* Oring |
| Diaphragm | PTFE | |
| Glands | PP | |
| O-Rings | Viton-EPDM* | |
| Suction Pipe | PVC | |
| Injection Pipe | PE | |
| Ventilating Pipe | PVC | |

*: May vary by model



7

Nova

Technical Data

- Adjustable stroke rate via the potentiometer
- 95- 260 VAC working range and solenoid driven technology that can do automatic adaptation accordingly to line voltage
- Low energy consumption
- Easy and flexible installation and usage by the vertical mounting design and alternative mounting advantage by base fixing bracket.
- High resistance to corrosive chemicals with the PVDF Pump Head and entire IP65 body
- Electronic circuit controlled electromagnet and long lasting Teflon (PTFE) diaphragm
- Lesser Maintenance by ceramic ball design Suction and injection parts included
- Easy disassemble cable socket
- Double Liquid Level Control Input
- 1/10 Adjustment Button

| Stock Code | Model | L/h | Max. Counter Pressure/Bar | Package Sizes/cm W-L-H | Packed Weight/Kg |
|-----------------|-------------------------|-----|---------------------------|------------------------|------------------|
| 306125005302000 | DP NOVA A 25L/5B VACFAT | 25 | 5 | 23x32x23 | 4,10 |

Standart Box Content



Stock Code : 600110800531000
Stock Name: SUCTION KIT 9X12 PS



Stock Code : 600110700343000
Stock Name: INJECTION KIT 9X12 P



Stock Code : 600110500120000
Stock Name: PIPE KIT V 9x12
Stock Code : 600110400700000
Stock Name: MOUNTING KIT DP NOVA



Stock Code : 500010079100010
Stock Name: Base Fixing Bracket DP NOVA

Application Areas



▶ Swimming Pools



▶ Drinking Water



▶ Waste Water



▶ Cooling Towers



▶ Boilers



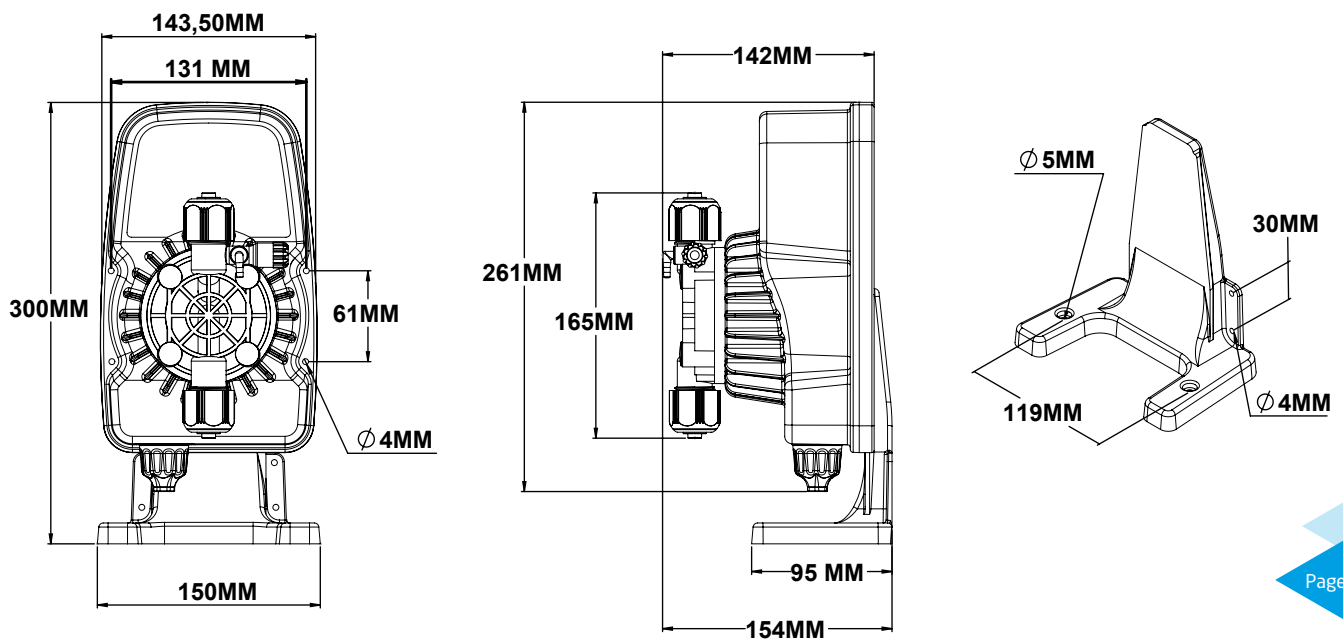
▶ Industrial Processes



▶ Agriculture

NOVA Series Technical Specs

| Model | | Max./Lt | Max./P | Stroke/dkml/Stroke | Supply voltage | Watt | Weight | Body | Max. Ambient Temperature | Max. Chemical Temperature | |
|-------|--------|---------|--------|--------------------|----------------|------------------------|--------|------|--------------------------|---------------------------|------|
| | | Lt / h | Bar | Stroke | ml | Volt | W | kg | IP | °C | °C |
| A | 25L/5B | 25 | 5 | 300 | 1,389 | 95-260 VAC 50-60 Hz | 17 | 3 | 67 | 0-45 | 0-40 |



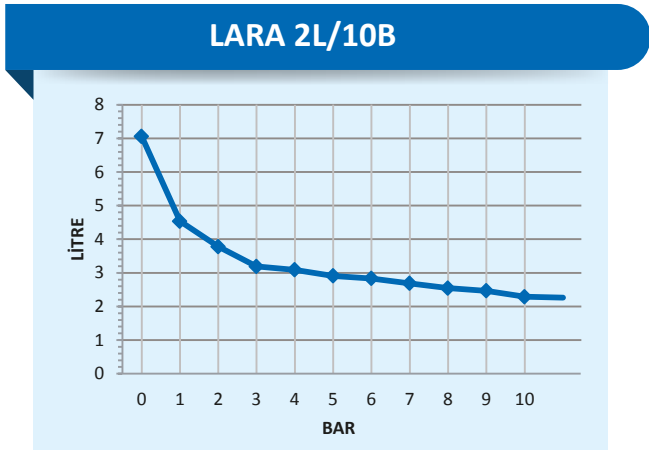
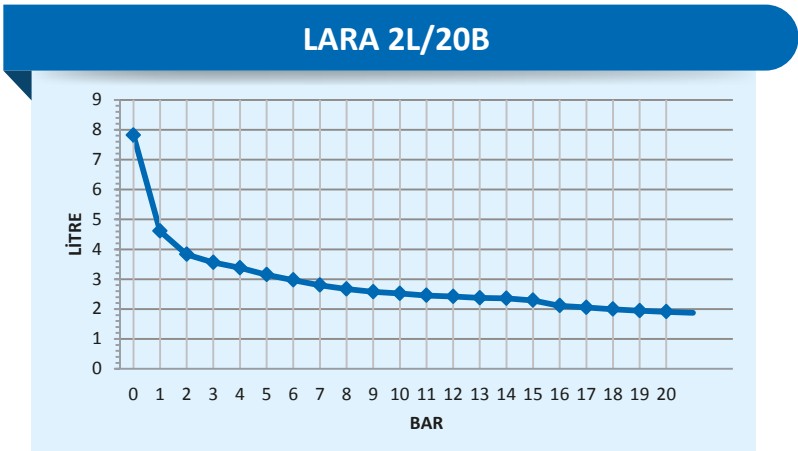
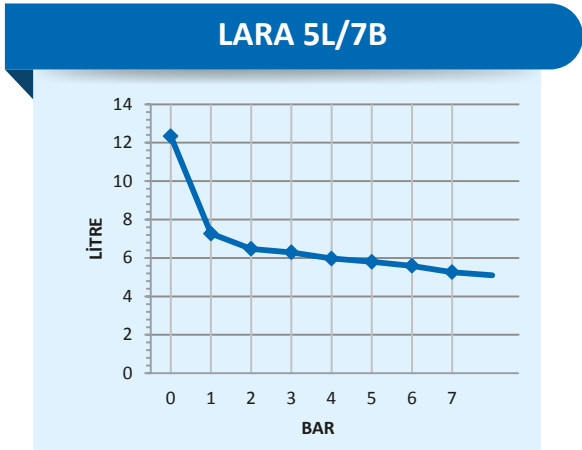
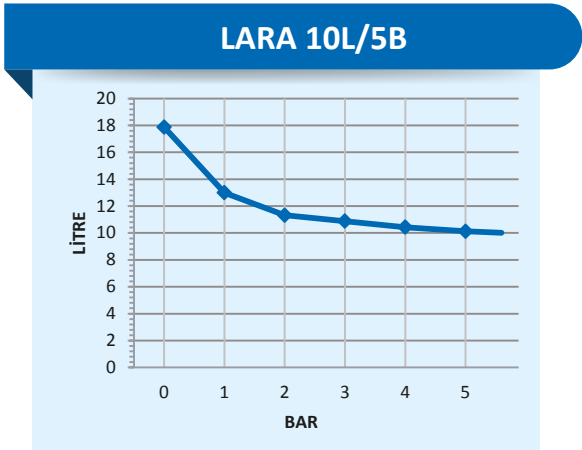
NOVA Series Dosing Pump Used Parts and Materials

| | | |
|------------------|---------------|---|
| Pump Head | PVDF | |
| Pump Body | PP | |
| Check valves* | Suction Set | PVDF, Zirconium Ball, Viton-EPDM* Oring |
| | Injection Set | PVDF, Zirconium Ball, Viton-EPDM* Oring |
| | Pump Head Set | PVDF, Zirconium Ball, Viton-EPDM* Oring |
| Diaphragm | PTFE | |
| Glands | PVDF | |
| O-Rings | Viton-EPDM* | |
| Suction Pipe | PVC / PE* | |
| Injection Pipe | PE | |
| Ventilating Pipe | PVC / PE* | |

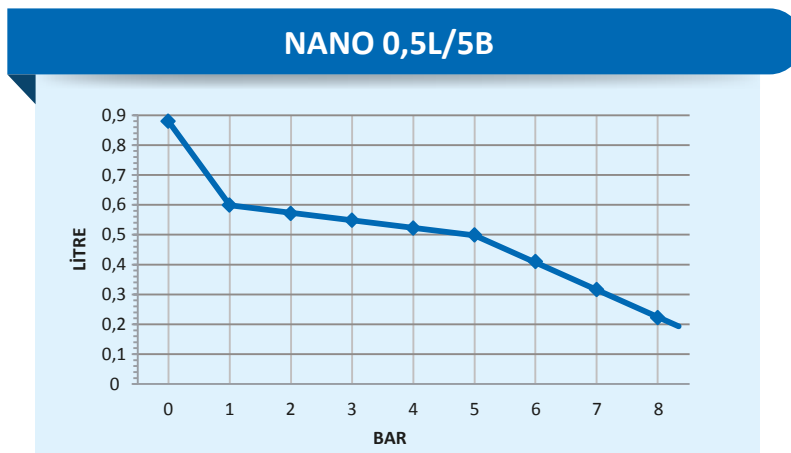
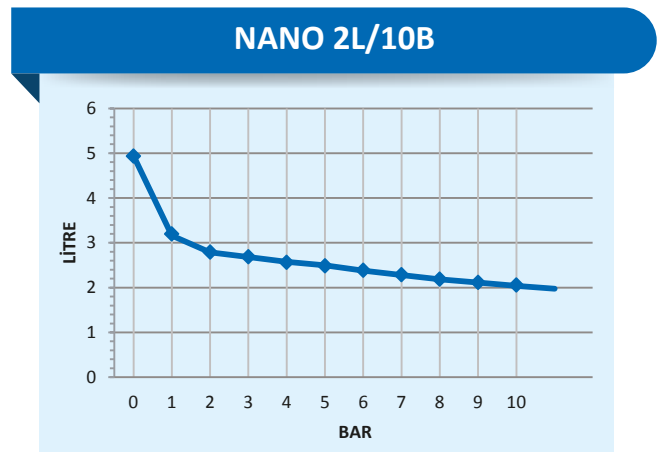
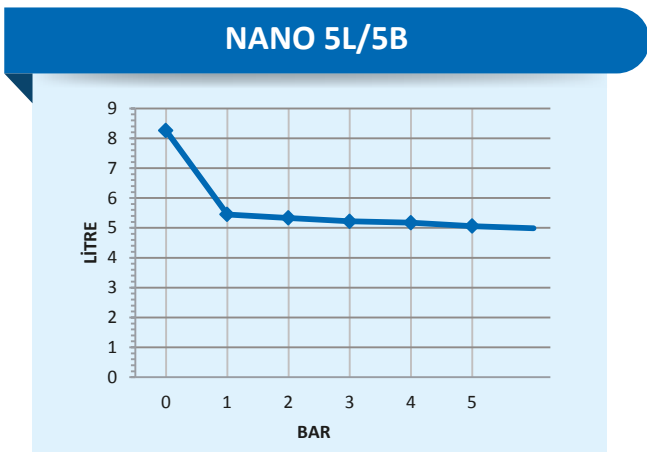
*: May vary by model

10 Flow Pressure Graphs

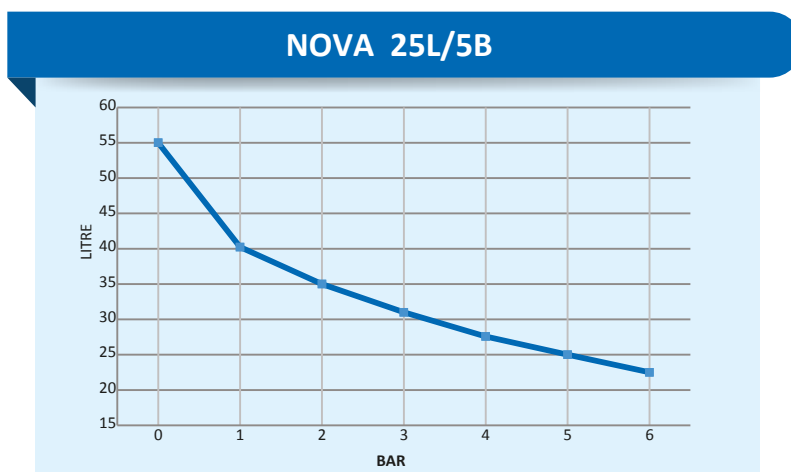
Lara Series



Nano Series



Nova Series



Antech[®]

"Water Control Technologies"

www.enelsa.com