



AnTech
"Water Control Technologies"

Design Pump



 **ENELSA**
Endüstriyel Elektronik İnş.Taah.San.Tic.Ltd.Şti.



1

OPTIMA

Technical Data

- Adjustable stroke rate via the potentiometer on the device
- On/Off Button
- Easy and flexible installation and usage by the vertical mount desing
- High resistance to corrosive chemicals with the PVDF Pump Head and entire IP65 body
- Electronic circuit controlled electromagnet and long lasting Teflon (PTFE) diaphragm
- Lesser Maintenance by zirconium ball desing
- Suction and injection parts included
- Vertical-base installation feature with additional leg option

Stock Code	Model	L/h	Max. Counter Pressure/Bar	Package Sizes/cm W-L-H	Packed Weight/Kg
307105010101000	DP OPTIMA 510 V220FAT	5	10	21 X 24 X 18	3,05
		6	6		
		7,5	3		
		10,5	1		

Page 2

Standart Box Content



Stock Code : 600110800110000
Stock Name: SUCTION KIT 4X6 V



Stock Code : 600110700311000
Stock Name: INJECTION KIT 4X6 V



Stock Code : 600110500100000
Stock Name: PIPE KIT V
Stock Code : 600110400300000
Stock Name: MOUNTING KIT DP

ACCESSORIES

Not Included to Standart Box



Stock Code : 600110800130000
Stock Name: SUCTION KIT 4X6 P
Stock Code : 600110700313000
Stock Name: INJECTION KIT 4X6 P

Application Areas



▶ Swimming Pools



▶ Drinking Water



▶ Waste Water



▶ Cooling Towers



▶ Boilers



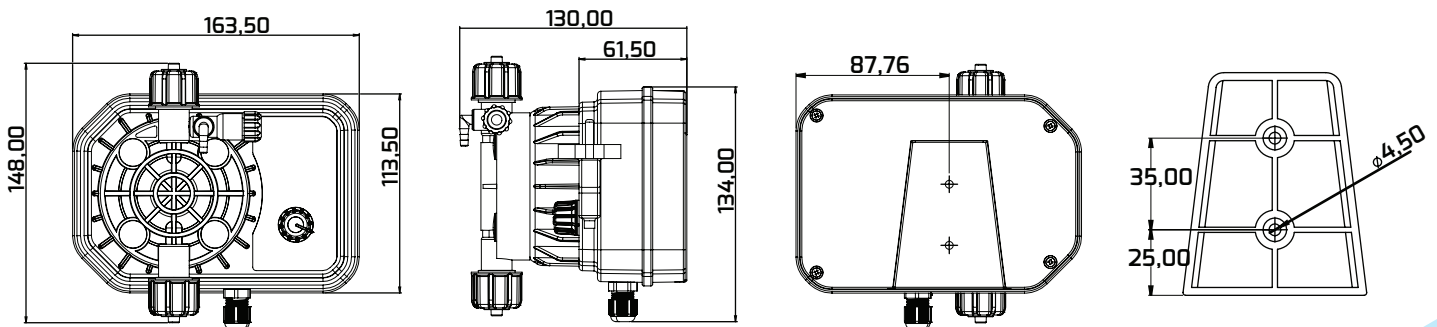
▶ Industrial Processes



▶ Agriculture

OPTIMA DOSIGN PUMP TECHNICAL SPECS

Model	Max./Lt	Max./P	Stroke/dk	ml/Stroke	Supply voltage	Watt	Weight	Body	Max. Ambient Temperature	Max. Chemical Temperature
	Lt / h	Bar	strok	ml	Volt	W	kg	IP	°C	°C
510	5	10	120	0,694	230V AC 50-60 Hz	20	3,05	65	0-45	0-45
	6	6		0,833						
	7,5	3		1,042						
	10	1		1,458						



ACCESSORIES Not Included to Standart Box



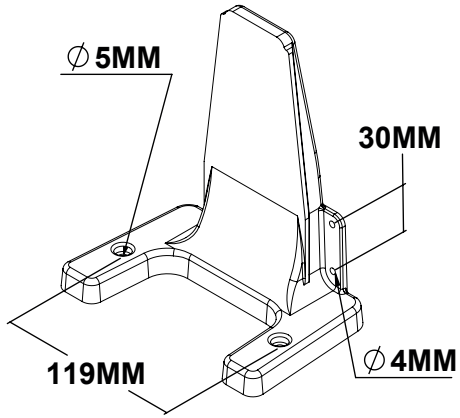
Stock Code : 500010079100010
Stock Name: Base Fixing Bracket DP

Optima Dosing Pump Used Parts and Materials

Pump Head		PVDF
Pump Body		PP
Check valves*	Suction Set	PP, Zirconium Ceramic Ball, Viton-EPDM* Oring
	Injection Set	PP, Zirconium Ceramic Ball, Viton-EPDM* Oring
	Pump Head Set	PVDF, Zirconium Ceramic Ball, Viton-EPDM* Oring
Diaphragm		PTFE
O-Rings		Viton-EPDM*
Suction Pipe		PVC
Injection Pipe		PE
Ventilating Pipe		PVC

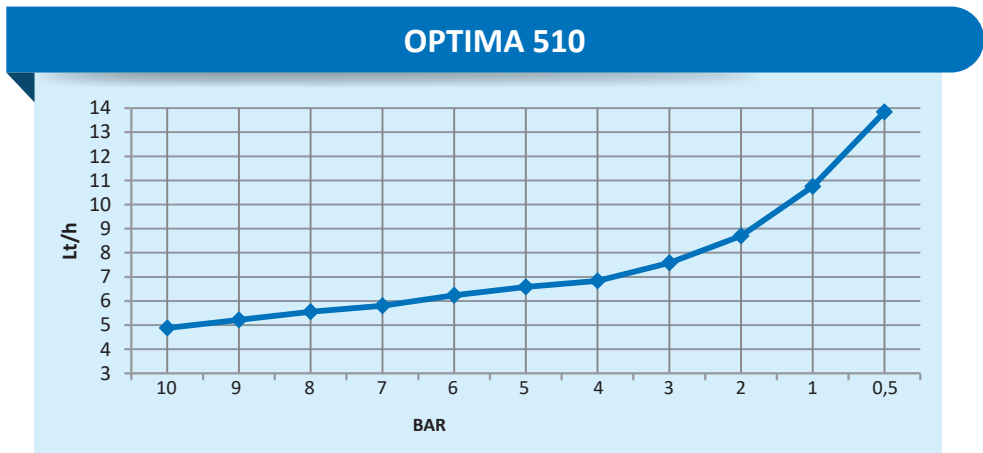
*: May vary by model

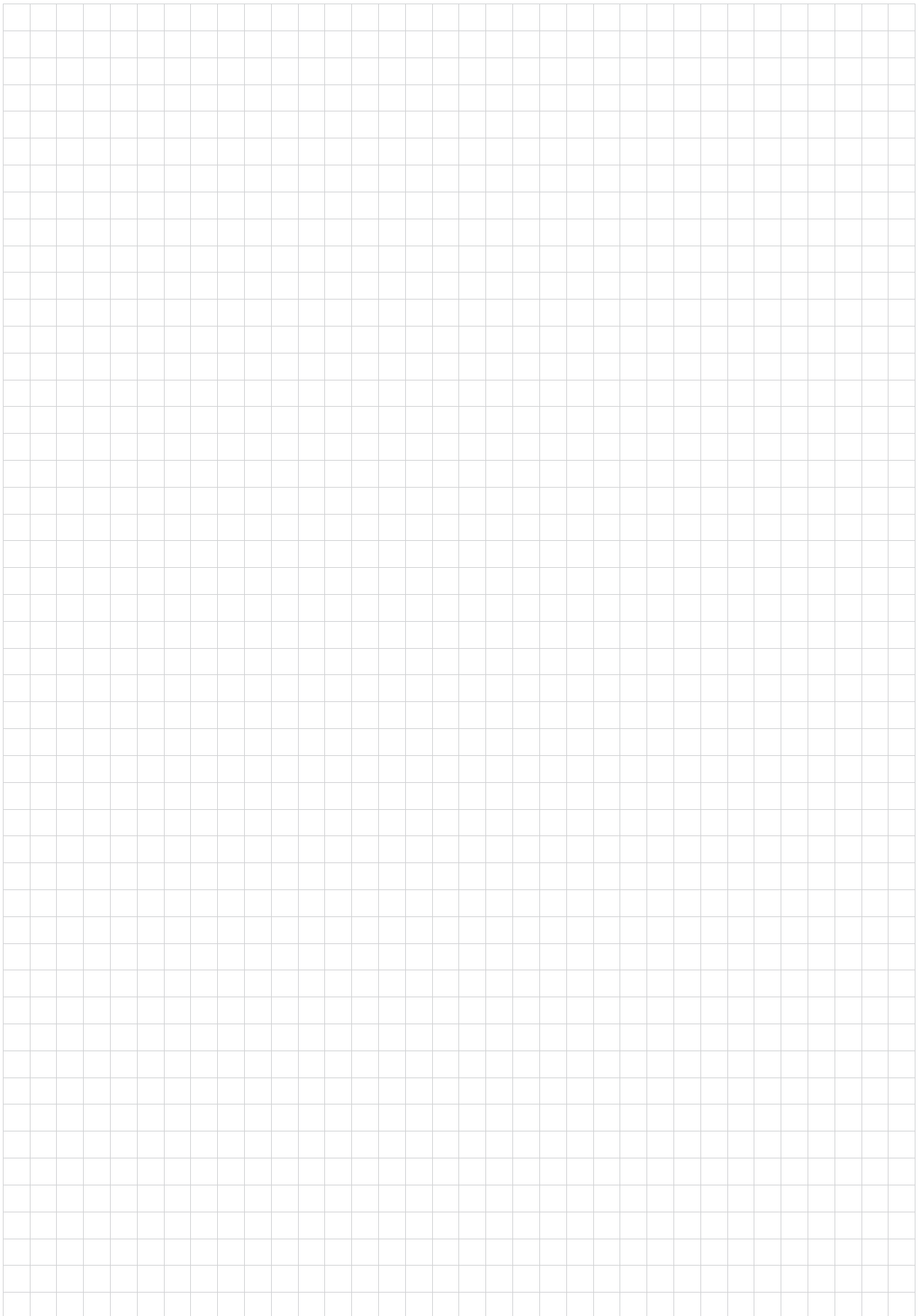
2 ACCESSORIES



Not Included to Standart Box
 Stock Code : 500010079100010
 Stock Name: Base Fixing Bracket DP

3 Flow Pressure Graphs







Antech[®]

"Water Control Technologies"

www.enelsa.com